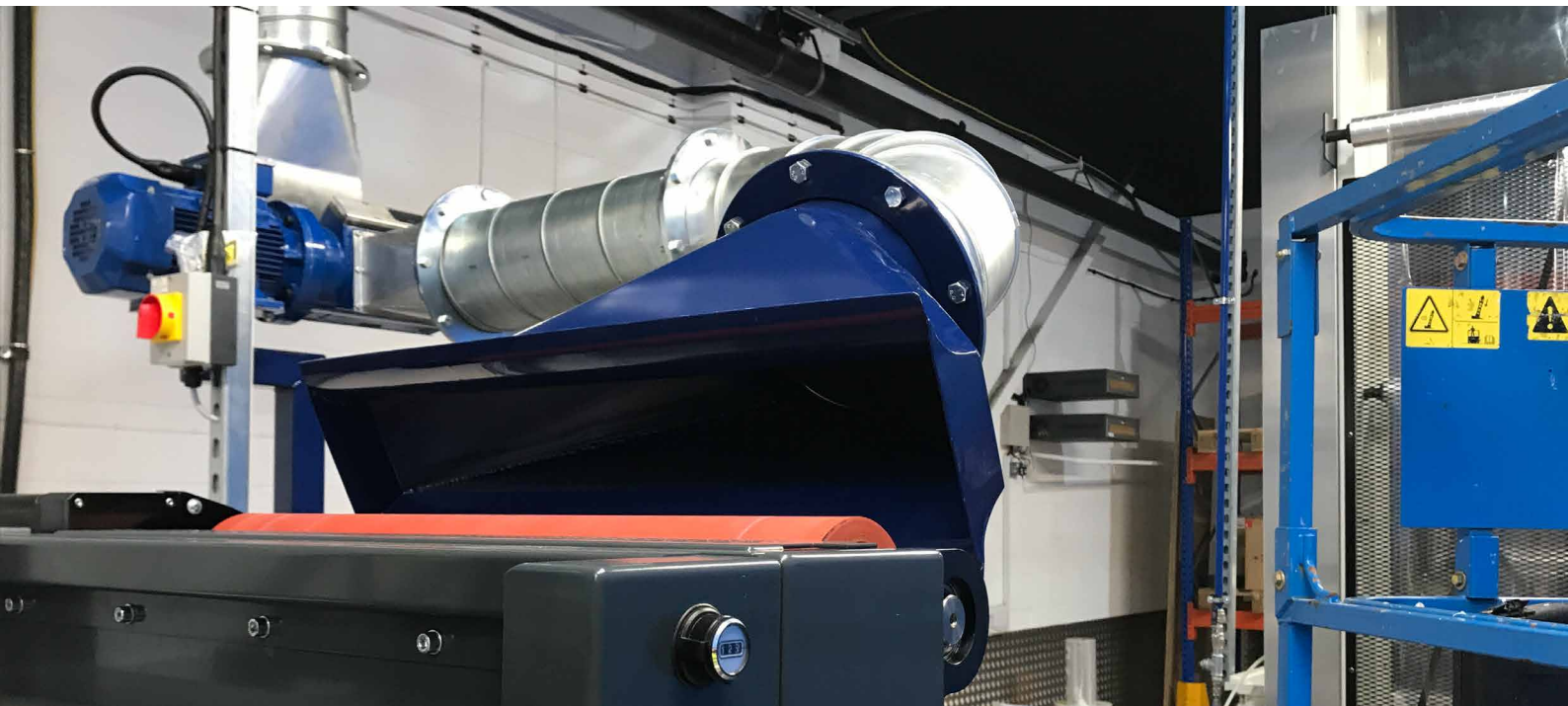




Precision Trim Cutter



The trim cutter is a compact and versatile precision cutting unit. The trim cutter unit is designed to offer precision cutting of a wide range of continuous materials.

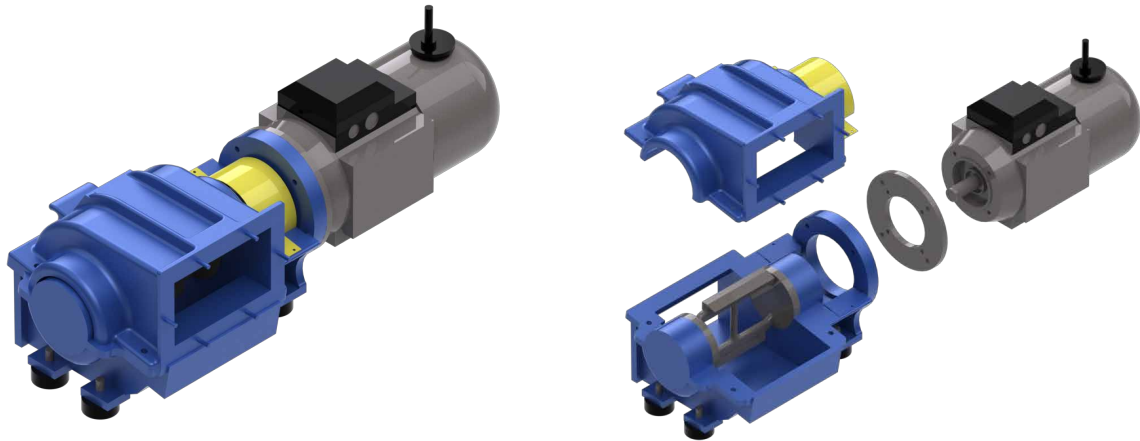
It enables continuous web manufacturers, slitters and converters to remove edge trim from production. It can cut cleanly through very thick materials like carpet edge trim. At the other end of the scale it can deal with extremely tough plastic film, foils, fabrics, filaments and non-woven materials down to as little as 12µm thick.

Two base models are available in the range. A model 78 series unit is ideally suited to materials being conveyed in ductwork up to 150mm in diameter. The model 811 series cutter is most suitable for larger volumes and heavier materials.

The advantages of the 78 and 811 series cutter are explained below: Rotating fly knives are cylindrically ground in housing to ensure uniform clearance across the complete width of the bed knife. Proprietary milling process matches fly knives to rotor notches for secure, positive location and retention. Available in standard AISI-D2 tool steel or in optional tungsten carbide.

Features:

- Angled rotor knives to provide shock free efficient cutting and low noise levels.
- Wrap free performance due to shaftless cutting chamber
- Open box rotor for free passage of air and minimal pressure drop
- Differential screw adjustment of bed knife allows for extremely precise cutting clearances between rotor knives and bed knife
- Compact flanged mounted brake motor
- Cast aluminium top cover easily removed to provide complete maintenance access
- Available in a range of sizes to suit your application



Model Ref	Motor	Knife Grade	Inlet / Outlet	Minimum Cut Clearance	Dim A	Dim B	Dim C	Weight
78 FP-D2	1.1kw	AISI-D2 tool steel	102 x 178	25.4µm	760	276	273	57kgs
78 FP-CPM10V	1.1kw	AISI-D8 tool steel	102 x 178	25.4µm	760	276	273	57kgs
78 FP-Carbide	1.1kw	Tungsten carbide	102 x 178	25.4µm	760	276	273	57kgs
78 FSP-D2	1.1kw	AISI-D2 tool steel	102 x 178	12.7µm	760	276	273	57kgs
78 FSP-CPM10V	1.1kw	AISI-D8 tool steel	102 x 178	12.7µm	760	276	273	57kgs
78 FSP Carbide	1.1kw	Tungsten carbide	102 x 178	12.7µm	760	276	273	57kgs
811 FP-D2	4kw	AISI-D2 tool steel	203 x 279	25.4µm	990	405	440	140kgs
811 FP-Carbide	4kw	Tungsten carbide	203 x 279	25.4µm	990	405	440	140kgs

